

## STORZ X HOSE TAIL



Storz in Aluminium, fitted with Nitrile suction and delivery seals as standard. Storz are also available in Brass and Stainless Steel.

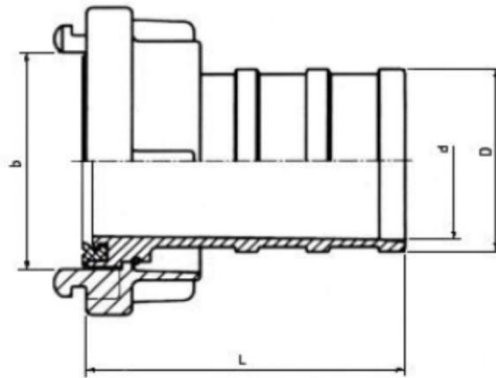
| STORZ SIZE | KA IN MM | TO SUIT HOSE SIZE | PART NUMBER       |
|------------|----------|-------------------|-------------------|
| 25-D       | 31       | ¾"                | AL-SZT-KA31-0075  |
| 25-D       | 31       | 1"                | AL-SZT-KA31-0100  |
| 38         | 51       | 1"                | AL-SZT-KA51-0100  |
| 38         | 51       | 1-1/4"            | AL-SZT-KA51-0125  |
| 38         | 51       | 1-1/2"            | AL-SZT-KA51-0150  |
| 52         | 66       | 1"                | AL-SZT-KA66-0100  |
| 52         | 66       | 1-1/4"            | AL-SZT-KA66-0125  |
| 52-C       | 66       | 1-1/2"            | AL-SZT-KA66-0150  |
| 52-C       | 66       | 2"                | AL-SZT-KA66-0200  |
| 65         | 81       | 2"                | AL-SZT-KA81-0200  |
| 65         | 81       | 2-1/2"            | AL-SZT-KA81-0250  |
| 75-B       | 89       | 2"                | AL-SZT-KA89-0200  |
| 75-B       | 89       | 2-1/2"            | AL-SZT-KA89-0250  |
| 75-B       | 89       | 3"                | AL-SZT-KA89-0300  |
| 100        | 115      | 4"                | AL-SZT-KA115-0400 |
| 110-A      | 133      | 4"                | AL-SZT-KA133-0400 |
| 125        | 148      | 5"                | AL-SZT-KA148-0500 |
| 150        | 160      | 6"                | AL-SZT-KA160-0600 |

Suitable for both suction and delivery applications, this 'Storz' hose tail can be clamped using our 'Band-Strap' product. Supplied with a white nitrile suction and delivery gasket as standard, the black nitrile, or a Viton or an EPDM gasket are all available to order.

All 'Storz' are also available in Forged Aluminium, Brass and Stainless Steel.

The versatile 'Storz' coupling is widely used in the fire industry, it is used for foam systems. A wide range of fire accessories are available with 'Storz' couplings as standard.

Road tankers involved in dry products, example - cement loading and unloading facilities. The simple design, and hermaphrodite nature of coupling ensure simplicity and security.



| PART NUMBER       | B (KA)<br>IN MM | D<br>IN MM | D<br>IN MM | L<br>IN MM | BURST<br>PRESSURE<br>IN BAR | MAX<br>WORKING<br>PRESSURE<br>IN BAR | WEIGHT<br>IN KGS |
|-------------------|-----------------|------------|------------|------------|-----------------------------|--------------------------------------|------------------|
| AL-SZT-KA31-0100  | 31              | 25         | 19         | 55         | 35                          | 16                                   | 0.5              |
| AL-SZT-KA66-0150  | 66              | 38         | 32         | 90         | 35                          | 16                                   | 0.6              |
| AL-SZT-KA66-0200  | 66              | 52.5       | 46         | 90         | 35                          | 16                                   | 0.7              |
| AL-SZT-KA89-0300  | 89              | 75.5       | 66         | 125        | 35                          | 16                                   | 1.30             |
| AL-SZT-KA133-0400 | 133             | 100        | 86         | 170        | 35                          | 16                                   | 3.20             |

All 'Storz' couplings, regardless of material or type, which have the same Ka dimension are suitable for use with each other. This feature makes the 'Storz' system ideal in applications where hoses or piping of different sizes need to be joined with the minimum number of adaptors.

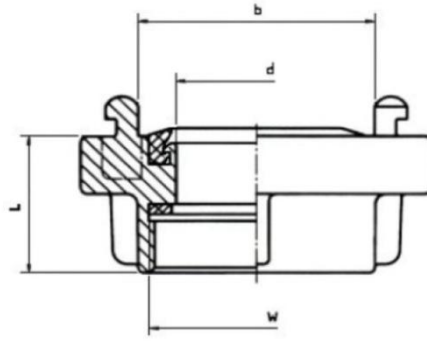
## STORZ X FEMALE THREAD



Storz in Aluminium, fitted with Nitrile seals and rubber thread seal as standard. Storz are also available in Brass and Stainless Steel.

| STORZ SIZE | KA IN MM | TO SUIT BSPP SIZE | PART NUMBER       |
|------------|----------|-------------------|-------------------|
| 25-D       | 31       | 1"                | AL-SZF-KA31-0100  |
| 38         | 51       | 1-1/2"            | AL-SZF-KA51-0150  |
| 38         | 51       | 2"                | AL-SZF-KA51-0200  |
| 52-C       | 66       | 1-1/4"            | AL-SZF-KA66-0125  |
| 52-C       | 66       | 1-1/2"            | AL-SZF-KA66-0150  |
| 52-C       | 66       | 2"                | AL-SZF-KA66-0200  |
| 52-C       | 66       | 2-1/2"            | AL-SZF-KA66-0250  |
| 65         | 81       | 2"                | AL-SZF-KA81-0200  |
| 75-B       | 89       | 2-1/2"            | AL-SZF-KA89-0250  |
| 75-B       | 89       | 3"                | AL-SZF-KA89-0300  |
| 110-A      | 133      | 4"                | AL-SZF-KA133-0400 |
| 125        | 148      | 4"                | AL-SZF-KA148-0400 |
| 125        | 148      | 5"                | AL-SZF-KA148-0500 |
| 150        | 160      | 6"                | AL-SZF-KA160-0600 |
| 165        | 188      | 6"                | AL-SZF-KA188-0600 |
| 205        | 220      | 8"                | AL-SZF-KA220-0800 |
|            |          |                   | 2 LUGS            |

Fitted with a seal suitable for suction and delivery applications as standard, these 'Storz' couplings can also be fitted with a delivery seal if required. The white nitrile seals are suitable for food applications. Black Nitrile, Viton or EPDM gasket are all available to order if required. All 'Storz' items are also available in Aluminium, Brass and Stainless Steel. The 'Storz' x female thread coupling can be supplied in a variety of different types including a swivelling head or a locking head. 'Storz' couplings are normally secured using a Spanner which available from stock.



| PART NUMBER       | B (KA)<br>IN MM | W<br>BSP | D<br>IN<br>MM | L<br>IN MM | BURST<br>PRESSURE<br>IN BAR | MAX<br>WORKING<br>PRESSURE<br>IN BAR | WEIGHT<br>IN KGS |
|-------------------|-----------------|----------|---------------|------------|-----------------------------|--------------------------------------|------------------|
| AL-SKF-KA31-0100  | 31              | 1"       | 18            | 28         | 25                          | 16                                   | 0.10             |
| AL-SKF-KA66-0125  | 66              | 1-1/4"   | 26            | 36         | 35                          | 16                                   | 0.24             |
| AL-SKF-KA66-0150  | 66              | 1-1/2"   | 36            | 36         | 35                          | 16                                   | 0.24             |
| AL-SKF-KA66-0200  | 66              | 2"       | 44            | 36         | 35                          | 16                                   | 0.24             |
| AL-SKF-KA89-0250  | 89              | 2-1/2"   | 64            | 40         | 35                          | 16                                   | 0.40             |
| AL-SZF-KA89-0300  | 89              | 3"       | 64            | 40         | 35                          | 16                                   | 0.4              |
| AL-SZF-KA133-0400 | 133             | 4"       | 100           | 46         | 35                          | 16                                   | 0.91             |

All 'Storz' couplings, regardless of material or type, which have the same Ka dimension are suitable for use with each other. This feature makes the 'Storz' system ideal in applications where hoses or piping of different sizes need to be joined with a minimum number of adaptors.

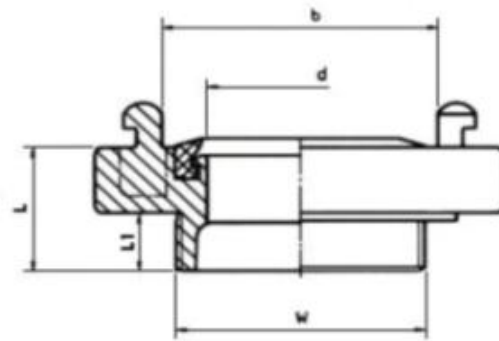
## STORZ X MALE THREAD



Storz in Aluminium, fitted with Nitrile seals and rubber thread seal as standard. Storz are also available in Brass and Stainless Steel.

| STORZ SIZE | KA IN MM | TO SUIT HOSE SIZE | PART NUMBER       |
|------------|----------|-------------------|-------------------|
| 25-D       | 31       | 1"                | AL-SZM-KA31-0100  |
| 52-C       | 66       | 1-1/2"            | AL-SZM-KA66-0150  |
| 52-C       | 66       | 2"                | AL-SZM-KA66-0200  |
| 52-C       | 66       | 2-1/2"            | AL-SZM-KA66-0250  |
| 75-B       | 89       | 2-1/2"            | AL-SZM-KA89-0250  |
| 75-B       | 89       | 3"                | AL-SZM-KA89-0300  |
| 110-A      | 133      | 4"                | AL-SZM-KA133-0400 |

Fitted with a seal suitable for suction and delivery applications as standard, these 'Storz' couplings can also be fitted with a delivery seal if required. The white nitrile seals are suitable for food applications. Black Nitrile, Viton or EPDM gasket are all available to order if required. All 'Storz' items are also available in Aluminium, Brass and Stainless Steel. The 'Storz' x male thread coupling can be supplied in a variety of different types including a swivelling head or a metal seat. The couplings are normally secured using a Spanner.



| PART NUMBER       | B (KA)<br>IN MM | W<br>BSP | D<br>IN<br>MM | L / L1<br>IN MM | BURST<br>PRESSURE<br>IN BAR | MAX<br>WORKING<br>PRESSURE<br>IN BAR | WEIGHT<br>IN KGS |
|-------------------|-----------------|----------|---------------|-----------------|-----------------------------|--------------------------------------|------------------|
| AL-SZM-KA31-0100  | 31              | 1"       | 18            | 31/19           | 25                          | 16                                   | 0.10             |
| AL-SZM-KA66-0150  | 66              | 1-1/2"   | 44            | 36/19           | 35                          | 16                                   | 0.24             |
| AL-SZM-KA66-0200  | 66              | 2"       | 44            | 36/19           | 35                          | 16                                   | 0.24             |
| AL-SZM-KA89-0250  | 89              | 2-1/2"   | 64            | 40/22           | 35                          | 16                                   | 0.42             |
| AL-SZM-KA89-0300  | 89              | 3"       | 64            | 40/22           | 35                          | 16                                   | 0.45             |
| AL-SZM-KA133-0400 | 133             | 4"       | 100           | 46/24           | 35                          | 16                                   | 0.90             |

All 'Storz' couplings, regardless of material or type, which have the same Ka dimension are suitable for use with each other. This feature makes the 'Storz' system ideal in application, where hoses or piping of different sizes need to be joined with a minimum number of adaptors.

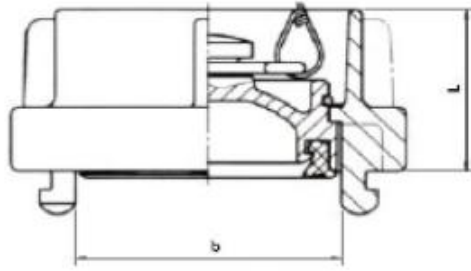
## STORZ BLIND CAP WITH CHAIN



Storz in Aluminium, fitted with Nitrile seals and rubber thread seal as standard. Storz are also available in Brass and Stainless Steel.

| STORZ SIZE | KA IN MM | TO SUIT HOSE SIZE | PART NUMBER                 |
|------------|----------|-------------------|-----------------------------|
| 25-D       | 31       | 1"                | AL-SZC-KA31-0100            |
| 52-C       | 66       | 2"                | AL-SZC-KA66-0200            |
| 65         | 81       | 2-1/2"            | AL-SZC-KA81-0250            |
| 75-B       | 89       | 3"                | AL-SZC-KA89-0300            |
| 110-A      | 133      | 4"                | AL-SZC-KA133-0400           |
| 110-A      | 133      | 4"<br>(LOCK)      | AL-SZC-KA133-0400L          |
| 125        | 148      | 5"                | AL-SZC-KA148-0500           |
| 150        | 160      | 6"                | AL-SZC-KA160-0600           |
| 200        | 220      | 8"                | AL-SZC-KA220-0800<br>2 LUGS |

Suitable for use with all other 'Storz' couplings, the Dust Caps are supplied with a nitrile suction and delivery gaskets as standard, Viton or EPDM are all available to order. All 'Storz' are also available in Brass and Stainless Steel. The 'Storz' Dust Caps are available in wide range of different configurations including bleed valves, key operated locks, high impact plastic and with taper proof triangular bosses and spanner to suit. Other special fabrications can also be considered. The couplings are normally secured using Spanner which is available from stock.



| PART NUMBER              | B (KA)<br>IN MM | W<br>BSPP | L<br>IN MM | BURST<br>PRESSURE<br>IN BAR | MAX<br>WORKING<br>PRESSURE<br>IN BAR | WEIGHT<br>IN KGS |
|--------------------------|-----------------|-----------|------------|-----------------------------|--------------------------------------|------------------|
| <b>AL-SZC-KA31-0100</b>  | 31              | 1"        | 28         | 25                          | 10                                   | 0.12             |
| <b>AL-SZC-KA66-0200</b>  | 66              | 2"        | 36         | 35                          | 10                                   | 0.34             |
| <b>AL-SZC-KA89-0300</b>  | 89              | 3"        | 40         | 35                          | 10                                   | 0.54             |
| <b>AL-SZC-KA133-0400</b> | 133             | 4"        | 46         | 35                          | 10                                   | 1.27             |

All 'Storz' couplings, regardless of material or type, which have the same Ka dimension are suitable for use with each other. This feature make where hoses or piping of different sizes need to be joined with minimum of number of adaptors.



## STORZ X FEMALE THREAD WITH LOCKING DEVICE



Storz x Female Bsp thread with locking device to prevent accidentally disconnect. Storz in Aluminium, fitted with Nitrile seals and rubber thread seal as standard.

| STORZ SIZE | KA IN MM | TO SUIT BSPP SIZE | PART NUMBER            |
|------------|----------|-------------------|------------------------|
| 52-C       | 66       | 2"                | AL-SZF-KA66-0200-LOCK  |
| 75-B       | 89       | 2-1/2"            | AL-SZF-KA89-0250-LOCK  |
| 75-B       | 89       | 3"                | AL-SZF-KA89-0300-LOCK  |
| 110-A      | 133      | 4"                | AL-SZF-KA133-0400-LOCK |
| 150        | 160      | 6"                | AL-SZF-KA160-0600-LOCK |

Fitted with a seal suitable for suction and delivery applications as standard, these 'Storz' couplings can also be fitted with a delivery seal if required. The white nitrile seals are suitable for food applications. Black Nitrile, Viton or EPDM gasket are all available to order if required.

The couplings are normally secured using a Spanner which is also available from stock.

All 'Storz' couplings, regardless of material or type, which have the same Ka dimension are suitable for use with each other. This feature make the 'Storz' system ideal in applications where hoses or piping od different sizes need to be joined with minimum of number of adaptors.

## STORZ X STORZ SWIVEL ADAPTER



Storz in Aluminium, fitted with Nitrile seals as standard. Storz are also available in Brass and Stainless Steel.

| STORZ SIZE | KA IN MM   | TO SUIT BSPP SIZE | PART NUMBER             |
|------------|------------|-------------------|-------------------------|
| 52-C/25-D  | 66 TO 31   | 2" TO 1"          | AL-SZSA-KA66/31-0200    |
| 81/52-C    | 81 TO 66   | 2-1/2" TO 2"      | AL-SZSA-KA81/66-0250    |
| 75-B/52-C  | 89 TO 66   | 3" TO 2"          | AL-SZSA-KA89/66-0300    |
| 110-A/75-B | 133 TO 89  | 4" TO 3"          | AL-SZSA-KA133/89-0400   |
| 125/110A   | 148 TO 133 | 5" TO 6"          | AL-SZSA-KA148/133-0500  |
| 150/110-A  | 160 TO 133 | 6" TO 4"          | AL-SZSA-KA-160/133-0600 |