

STORZ X HOSE TAIL



Storz in Aluminium, fitted with Nitrile suction and delivery seals as standard. Storz are also available in Brass and Stainless Steel.

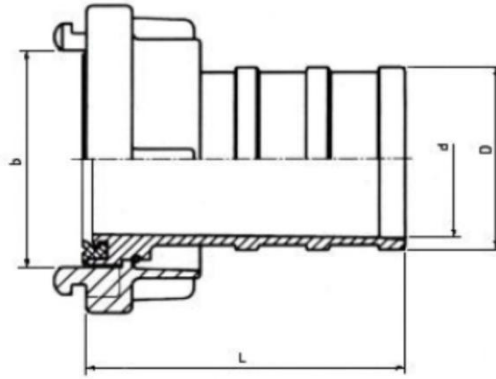
STORZ SIZE	KA IN MM	TO SUIT HOSE SIZE	PART NUMBER
25-D	31	¾"	AL-SZT-KA31-0075
25-D	31	1"	AL-SZT-KA31-0100
38	51	1"	AL-SZT-KA51-0100
38	51	1-1/4"	AL-SZT-KA51-0125
38	51	1-1/2"	AL-SZT-KA51-0150
52	66	1"	AL-SZT-KA66-0100
52	66	1-1/4"	AL-SZT-KA66-0125
52-C	66	1-1/2"	AL-SZT-KA66-0150
52-C	66	2"	AL-SZT-KA66-0200
65	81	2"	AL-SZT-KA81-0200
65	81	2-1/2"	AL-SZT-KA81-0250
75-B	89	2"	AL-SZT-KA89-0200
75-B	89	2-1/2"	AL-SZT-KA89-0250
75-B	89	3"	AL-SZT-KA89-0300
100	115	4"	AL-SZT-KA115-0400
110-A	133	4"	AL-SZT-KA133-0400
125	148	5"	AL-SZT-KA148-0500
150	160	6"	AL-SZT-KA160-0600

Suitable for both suction and delivery applications, this 'Storz' hose tail can be clamped using our 'Band-Strap' product. Supplied with a white nitrile suction and delivery gasket as standard, the black nitrile, or a Viton or an EPDM gasket are all available to order.

All 'Storz' are also available in Forged Aluminium, Brass and Stainless Steel.

The versatile 'Storz' coupling is widely used in the fire industry, it is used for foam systems. A wide range of fire accessories are available with 'Storz' couplings as standard.

Road tankers involved in dry products, example - cement loading and unloading facilities. The simple design, and hermaphrodite nature of coupling ensure simplicity and security.



PART NUMBER	B (KA) IN MM	D IN MM	D IN MM	L IN MM	BURST PRESSURE IN BAR	MAX WORKING PRESSURE IN BAR	WEIGHT IN KGS
AL-SZT-KA31-0100	31	25	19	55	35	16	0.5
AL-SZT-KA66-0150	66	38	32	90	35	16	0.6
AL-SZT-KA66-0200	66	52.5	46	90	35	16	0.7
AL-SZT-KA89-0300	89	75.5	66	125	35	16	1.30
AL-SZT-KA133-0400	133	100	86	170	35	16	3.20

All 'Storz' couplings, regardless of material or type, which have the same Ka dimension are suitable for use with each other. This feature makes the 'Storz' system ideal in applications where hoses or piping of different sizes need to be joined with the minimum of number of adaptors.

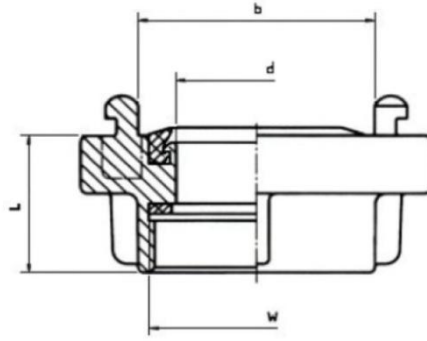
STORZ X FEMALE THREAD



Storz in Aluminium, fitted with Nitrile seals and rubber thread seal as standard. Storz are also available in Brass and Stainless Steel.

STORZ SIZE	KA IN MM	TO SUIT BSPP SIZE	PART NUMBER
25-D	31	1"	AL-SZF-KA31-0100
38	51	1-1/2"	AL-SZF-KA51-0150
38	51	2"	AL-SZF-KA51-0200
52-C	66	1-1/4"	AL-SZF-KA66-0125
52-C	66	1-1/2"	AL-SZF-KA66-0150
52-C	66	2"	AL-SZF-KA66-0200
52-C	66	2-1/2"	AL-SZF-KA66-0250
65	81	2"	AL-SZF-KA81-0200
75-B	89	2-1/2"	AL-SZF-KA89-0250
75-B	89	3"	AL-SZF-KA89-0300
110-A	133	4"	AL-SZF-KA133-0400
125	148	4"	AL-SZF-KA148-0400
125	148	5"	AL-SZF-KA148-0500
150	160	6"	AL-SZF-KA160-0600
165	188	6"	AL-SZF-KA188-0600
205	220	8"	AL-SZF-KA220-0800
			2 LUGS

Fitted with a seal suitable for suction and delivery applications as standard, these 'Storz' couplings can also be fitted with a delivery seal if required. The white nitrile seals are suitable for food applications. Black Nitrile, Viton or EPDM gasket are all available to order if required. All 'Storz' items are also available in Aluminium, Brass and Stainless Steel. The 'Storz' x female thread coupling can be supplied in a variety of different types including a swivelling head or a locking head. 'Storz' couplings are normally secured using a Spanner which available from stock.



PART NUMBER	B (KA) IN MM	W BSPB	D IN MM	L IN MM	BURST PRESSURE IN BAR	MAX WORKING PRESSURE IN BAR	WEIGHT IN KGS
AL-SKF-KA31-0100	31	1"	18	28	25	16	0.10
AL-SKF-KA66-0125	66	1-1/4"	26	36	35	16	0.24
AL-SKF-KA66-0150	66	1-1/2"	36	36	35	16	0.24
AL-SKF-KA66-0200	66	2"	44	36	35	16	0.24
AL-SKF-KA89-0250	89	2-1/2"	64	40	35	16	0.40
AL-SZF-KA89-0300	89	3"	64	40	35	16	0.4
AL-SZF-KA133-0400	133	4"	100	46	35	16	0.91

All 'Storz' couplings, regardless of material or type, which have the same Ka dimension are suitable for use with each other. This feature makes the 'Storz' system ideal in applications where hoses or piping of different sizes need to be joined with a minimum number of adaptors.

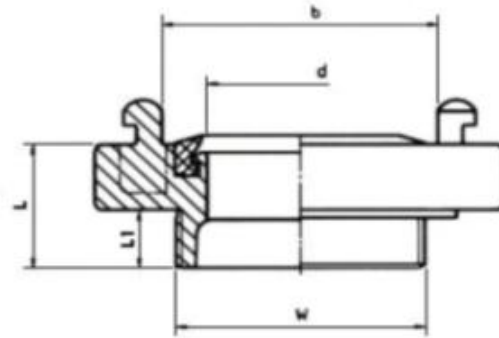
STORZ X MALE THREAD



Storz in Aluminium, fitted with Nitrile seals and rubber thread seal as standard. Storz are also available in Brass and Stainless Steel.

STORZ SIZE	KA IN MM	TO SUIT HOSE SIZE	PART NUMBER
25-D	31	1"	AL-SZM-KA31-0100
52-C	66	1-1/2"	AL-SZM-KA66-0150
52-C	66	2"	AL-SZM-KA66-0200
52-C	66	2-1/2"	AL-SZM-KA66-0250
75-B	89	2-1/2"	AL-SZM-KA89-0250
75-B	89	3"	AL-SZM-KA89-0300
110-A	133	4"	AL-SZM-KA133-0400

Fitted with a seal suitable for suction and delivery applications as standard, these 'Storz' couplings can also be fitted with a delivery seal if required. The white nitrile seals are suitable for food applications. Black Nitrile, Viton or EPDM gasket are all available to order if required. All 'Storz' items are also available in Aluminium, Brass and Stainless Steel. The 'Storz' x male thread coupling can be supplied in a variety of different types including a swivelling head or a metal seat. The couplings are normally secured using a Spanner.



PART NUMBER	B (KA) IN MM	W BSP	D IN MM	L / L1 IN MM	BURST PRESSURE IN BAR	MAX WORKING PRESSURE IN BAR	WEIGHT IN KGS
AL-SZM-KA31-0100	31	1"	18	31/19	25	16	0.10
AL-SZM-KA66-0150	66	1-1/2"	44	36/19	35	16	0.24
AL-SZM-KA66-0200	66	2"	44	36/19	35	16	0.24
AL-SZM-KA89-0250	89	2-1/2"	64	40/22	35	16	0.42
AL-SZM-KA89-0300	89	3"	64	40/22	35	16	0.45
AL-SZM-KA133-0400	133	4"	100	46/24	35	16	0.90

All 'Storz' couplings, regardless of material or type, which have the same Ka dimension are suitable for use with each other. This feature makes the 'Storz' system ideal in application, where hoses or piping of different sizes need to be joined with a minimum number of adaptors.

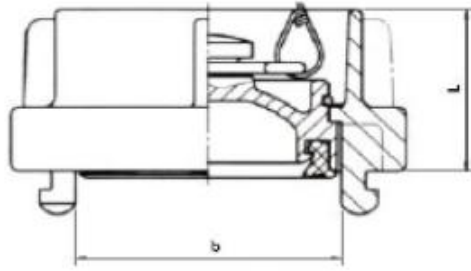
STORZ BLIND CAP WITH CHAIN



Storz in Aluminium, fitted with Nitrile seals and rubber thread seal as standard. Storz are also available in Brass and Stainless Steel.

STORZ SIZE	KA IN MM	TO SUIT HOSE SIZE	PART NUMBER
25-D	31	1"	AL-SZDC-KA31-0100
52-C	66	2"	AL-SZDC-KA66-0200
65	81	2-1/2"	AL-SZDC-KA81-0250
75-B	89	3"	AL-SZDC-KA89-0300
110-A	133	4"	AL-SZDC-KA133-0400
110-A	133	4" (LOCK)	AL-SZDC-KA133-0400L
125	148	5"	AL-SZDC-KA148-0500
150	160	6"	AL-SZDC-KA160-0600
200	220	8"	AL-SZDC-KA220-0800 2 LUGS

Suitable for use with all other 'Storz' couplings, the Dust Caps are supplied with a nitrile suction and delivery gaskets as standard, Viton or EPDM are all available to order. All 'Storz' are also available in Brass and Stainless Steel. The 'Storz' Dust Caps are available in wide range of different configurations including bleed valves, key operated locks, high impact plastic and with taper proof triangular bosses and spanner to suit. Other special fabrications can also be considered. The couplings are normally secured using Spanner which is available from stock.



PART NUMBER	B (KA) IN MM	W BSP	L IN MM	BURST PRESSURE IN BAR	MAX WORKING PRESSURE IN BAR	WEIGHT IN KGS
AL-SZDC-KA31-0100	31	1"	28	25	10	0.12
AL-SZDC-KA66-0200	66	2"	36	35	10	0.34
AL-SZDC-KA89-0300	89	3"	40	35	10	0.54
AL-SZDC-KA133-0400	133	4"	46	35	10	1.27

All 'Storz' couplings, regardless of material or type, which have the same Ka dimension are suitable for use with each other. This feature make where hoses or piping of different sizes need to be joined with minimum of number of adaptors.

STORZ X FEMALE THREAD WITH LOCKING DEVICE



Storz x Female Bsp thread with locking device to prevent accidentally disconnect. Storz in Aluminium, fitted with Nitrile seals and rubber thread seal as standard.

STORZ SIZE	KA IN MM	TO SUIT BSPP SIZE	PART NUMBER
52-C	66	2"	AL-SZF-KA66-0200-LOCK
75-B	89	2-1/2"	AL-SZF-KA89-0250-LOCK
75-B	89	3"	AL-SZF-KA89-0300-LOCK
110-A	133	4"	AL-SZF-KA133-0400-LOCK
150	160	6"	AL-SZF-KA160-0600-LOCK

Fitted with a seal suitable for suction and delivery applications as standard, these 'Storz' couplings can also be fitted with a delivery seal if required. The white nitrile seals are suitable for food applications. Black Nitrile, Viton or EPDM gasket are all available to order if required.

The couplings are normally secured using a Spanner which is also available from stock.

All 'Storz' couplings, regardless of material or type, which have the same Ka dimension are suitable for use with each other. This feature make the 'Storz' system ideal in applications where hoses or piping od different sizes need to be joined with minimum of number of adaptors.

STORZ X STORZ SWIVEL ADAPTER



Storz in Aluminium, fitted with Nitrile seals as standard. Storz are also available in Brass and Stainless Steel.

STORZ SIZE	KA IN MM	TO SUIT BSPP SIZE	PART NUMBER
52-C/25-D	66 TO 31	2" TO 1"	AL-SZSA-KA66/31-0200
81/52-C	81 TO 66	2-1/2" TO 2"	AL-SZSA-KA81/66-0250
75-B/52-C	89 TO 66	3" TO 2"	AL-SZSA-KA89/66-0300
110-A/75-B	133 TO 89	4" TO 3"	AL-SZSA-KA133/89-0400
125/110A	148 TO 133	5" TO 6"	AL-SZSA-KA148/133-0500
150/110-A	160 TO 133	6" TO 4"	AL-SZSA-KA-160/133-0600