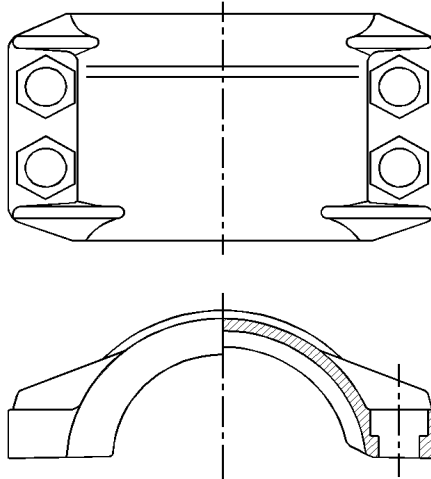


RK CLAMPS - according to DIN2817



SAFETY CLAMPS, complete with nuts and bolts made of zinc plated steel.

Size	Hose O.D. RANGE		Bolts	Forged Aluminum		Forged Brass		SS 316	
	Min	Max		Part No.	Box Qty	Part No.	Box Qty	Part No.	Box Qty
1/2"	22	24	M6x20	RK-050-A(13X5)	500	RK-050-B2(13X5)	200		
3/4"	30	33	M6x20	RK-075-A(19X6)	300	RK-075-B2(19X6)	160	RK-075-SS(19X6)	160
1"	36	39	M6x20	RK-100-A(25X6)	300	RK-100-B2(25X6)	160	RK-100-SS(25X6)	160
1-1/4"	43	46	M6x20	RK-125-A(32X6)	250	RK-125-B2(32X6)	135	RK-125-SS(32X6)	135
1-1/2"	50	52	M6x20	RK-150-A(38X6.5)	200	RK-150-B2(38X6.5)	120	RK-150-SS(38X6.5)	120
2"	64	67	M8x25	RK-200-A(50X8)	190	RK-200-B2(50X8)	75	RK-200-SS(50X8)	75
2"	69	71	M8x25	RK-201-A(50X10)	150	RK-201-B2(50X10)	90	RK-201-SS(50X5.5)	90
2-1/2"	78	82	M8x25	RK-250-A(63X8)	120	RK-250-B2(63X8)	40	RK-250-SS(63X8)	40
2-1/2"	84	87	M8x25			RK-251-B2(63X10)	50	RK-251-SS(63X6)	50
3"	89	93	M8x25	RK-300-A(75X7.5)	96	RK-300-B2(75X7.5)	40	RK-300-SS(75X7.5)	40
3"	94	97	M8x25	RK-301-A(75X10)	96	RK-301-B2(75X10)	40	RK-301-SS(75X6.5)	40
4"	114	119	M12x40	RK-400-A(100X8)	48	RK-400-B2(100X8)	15	RK-400-SS(100X8)	15
4"	118	122	M12x40	RK-401-A(100X10)	48				
5"	143	148	M12x50	RK-500-A(125X10)	24				
6"	168	174	M12x60	RK-600-A(150X10)	12				